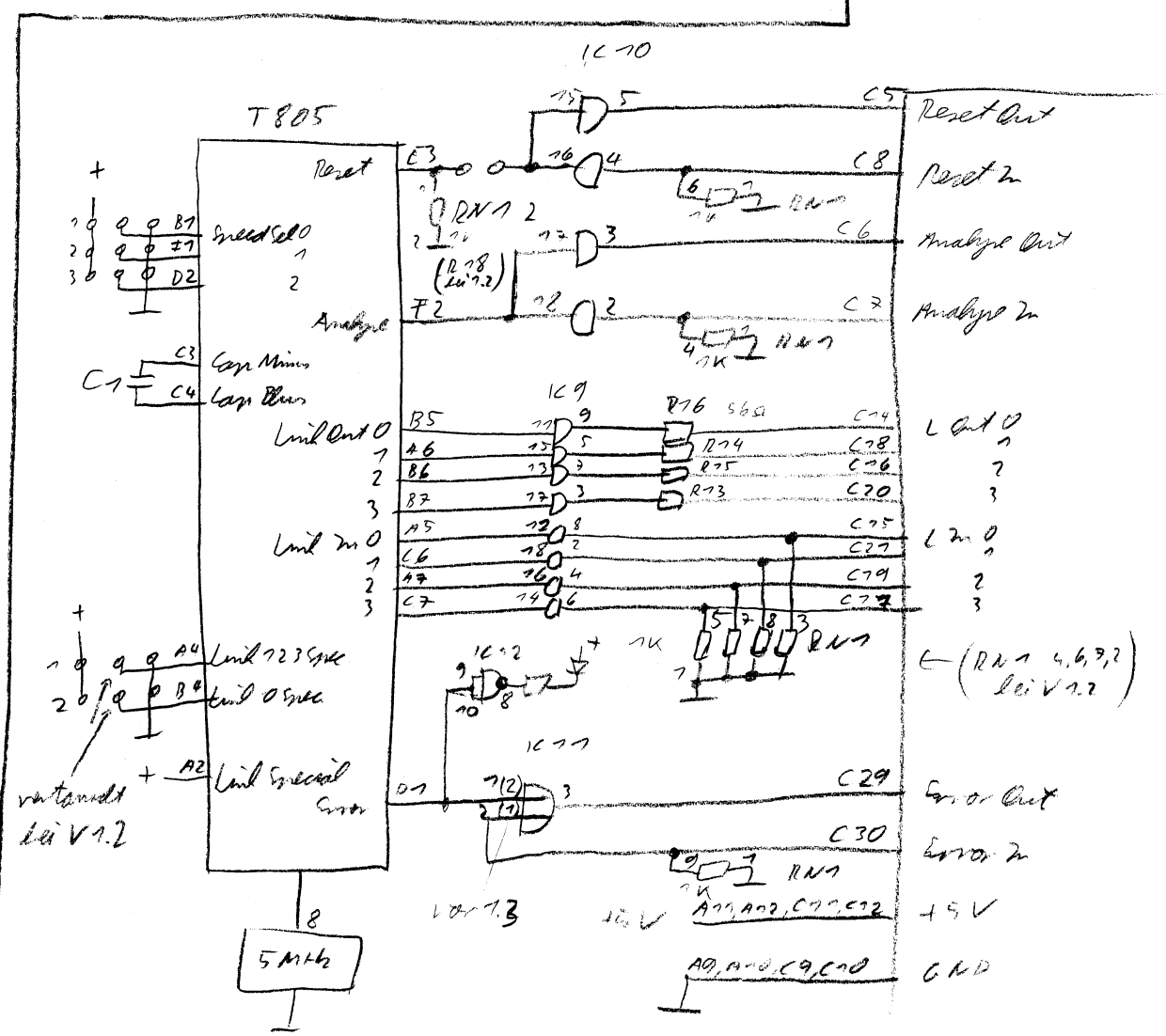
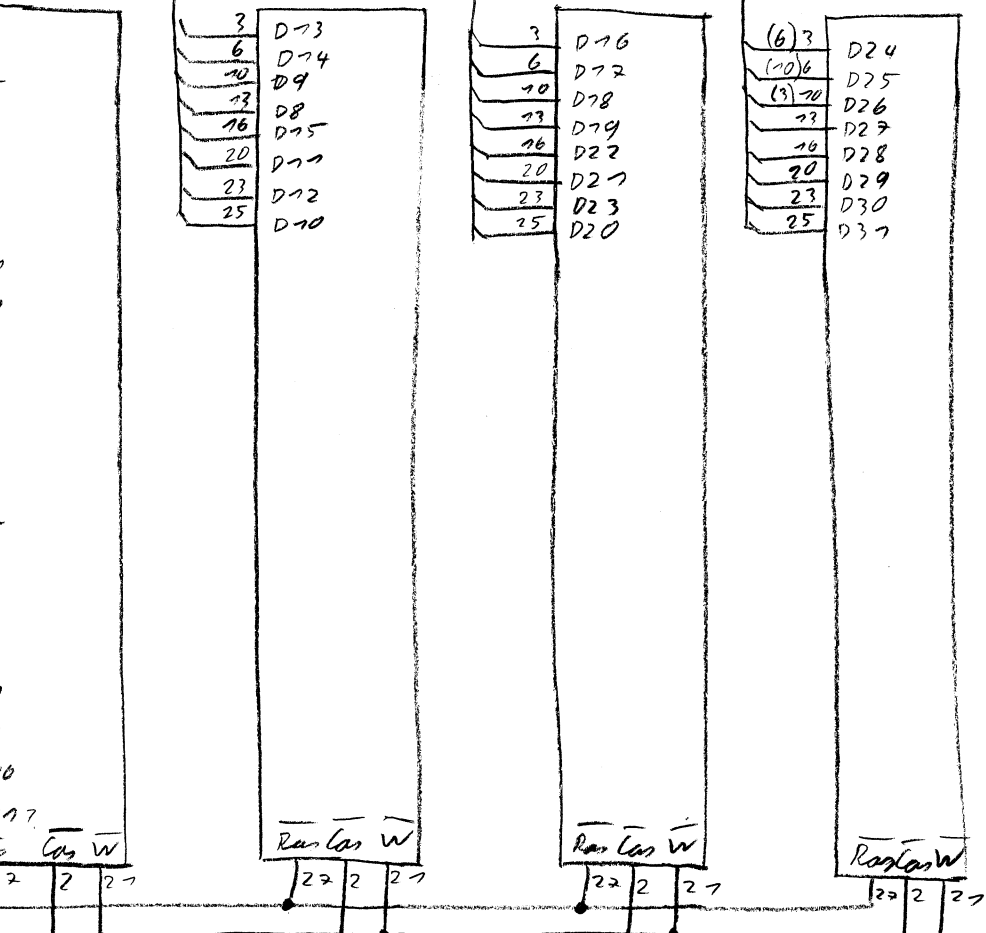
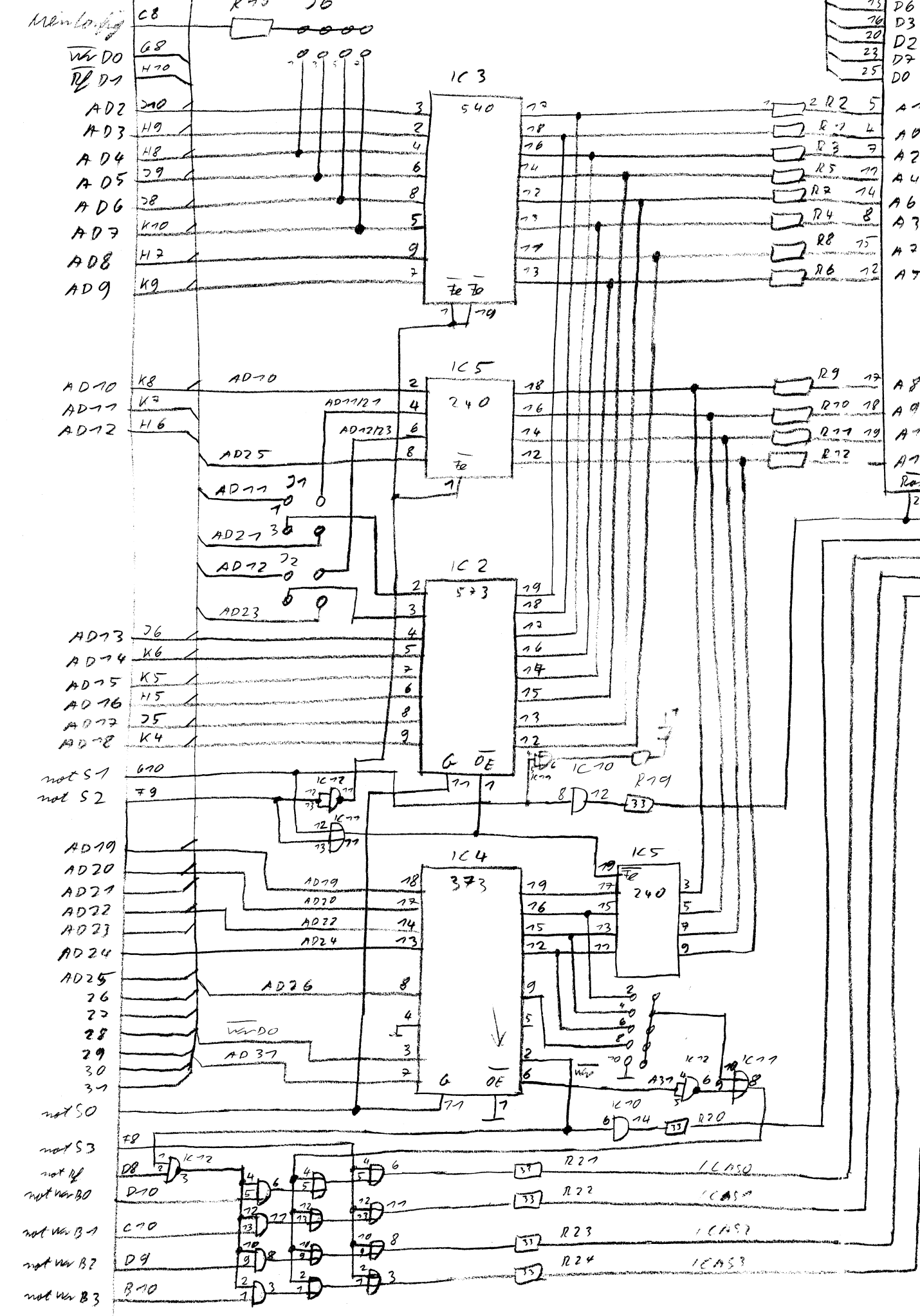


T805



Pin in (1) bei V1.2

Memlo. C8
 WE DO G8
 RE D1 H10
 AD2 210
 AD3 H9
 AD4 H8
 AD5 29
 AD6 28
 AD7 K10
 AD8 H2
 AD9 K9
 AD10 K8
 AD11 K7
 AD12 H6
 AD13 76
 AD14 K6
 AD15 K5
 AD16 H5
 AD17 25
 AD18 K4
 not S1 G70
 not S2 F9
 AD19
 AD20
 AD21
 AD22
 AD23
 AD24
 AD25
 26
 27
 28
 29
 30
 31
 not S0 F8
 not S3 D8
 not B0 D10
 not B1 C70
 not B2 D9
 not B3 B10

C5 Reset Out
 C6 Reset In
 C7 Analyze Out
 C8 Analyze In
 C9 Link Out 0
 C10 Link In 0
 C11 Link In 1
 C12 Link In 2
 C13 Link Special Error
 C14 Error Out
 C15 Error In
 C16 +5V
 C17 GND